

DESCRIPTION

The MS3724HV is a slim, plug-in high-level signal conditioner that converts DC current or voltage signals into commonly used DC signals and provides an isolated single output. This model features a maximum output voltage of 40V.

ORDERING CODE

MS3724HV - -

Model _____

Power Supply _____

A: 100 to 240V AC (50 to 60Hz)
D: 24V DC
P: 100 to 240V DC

Input _____

A: 4 to 20mA DC	3: 0 to 1V DC
B: 2 to 10mA DC	4: 0 to 10V DC
C: 1 to 5mA DC	5: 0 to 5V DC
D: 0 to 20mA DC	6: 1 to 5V DC
E: 4 to 20mA DC *1	4W: ±10V DC
H: 10 to 50mA DC	5W: ±5V DC
Z: Other DC current signals	0: Other DC voltage signals

*1: Shunt resistor 50Ω

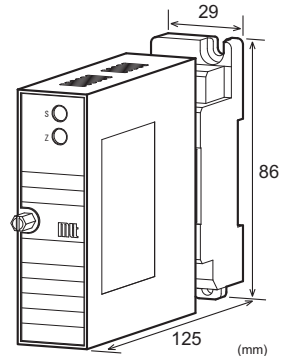
Output _____

7: 0 to 15V DC
8: 0 to 20V DC
9: 0 to 40V DC*2
7W: ±15V DC
8W: ±20V DC
9W: ±40V DC*2
0: Other DC voltage signals

*2: This cannot be selected when 24V DC supply is specified.

Options _____

No code: None
/K: Fast response (0 to 90% response time: 10ms max.)
/H: Polyurethane conformal coating
/X: Others (Special order)
 * For non-standard options, ask MTT for availability.


SPECIFICATIONS
POWER SECTION

Power Requirements	100 to 240V AC: 85 to 264V AC (47 to 63Hz) 24V DC: 24V DC±10% 100 to 240V DC: 85 to 264V DC
Power Sensitivity	Better than ±0.1% of span for each power supply range.
Power Line Fuse	160mA fuse is installed (standard).
Power Consumption	
Power	100-240V AC 24V DC 100-240V DC
	5.5VA max 1.5W max 2.5W max

INPUT SECTION

Input Resistance	Voltage Input (DC) With or without power: 1MΩ min.	
	Current Input (DC)	
	4 to 20mA (std.)	250Ω
	2 to 10mA	250Ω
	1 to 5 mA	100Ω
	0 to 20mA	250Ω
	10 to 50mA	10Ω
Allowable Input Voltage	Voltage Input 30V DC max., continuous. (Standard Model for a span up to 10V)	
	Current Input	40mA DC max., continuous.
	Model	(Standard for 4 to 20mA)
Ranges Available	Current Signal	Voltage Signal
Input Range (DC)	-100 to 100mA	-300 to 300V
Input Span (DC)	100μA*1 to 200mA	200mV*2 to 600V
Input Bias	-100 to 100%	-100 to 100%
Note: For any input range including negative input signals, the input spans for current and voltage signals range from (*1)200μA to 200mA and (*2) 400mV to 600V, respectively.		
Input Spec. Ex.1: For 3 to 8V input, the input span is 5V and the bias +60%.		
Input Spec. Ex. 2: For -5 to 0V input, the input span is 5V and the bias -100%.		

ORDERING INFORMATION

To place an order, please use the ordering code format as shown above.
 (e.g.) MS3724HV-A-4W7W

Other Ordering Examples:
 For an input code of "Z": MS3724HV-A-Z8 (Input: 8 to 20mA)
 For an output code of "0": MS3724HV-A-50 (Output: 0 to 30V)
 For an option code of "X": MS3724HV-D-47/X (Fc: 30Hz-3dB)
 Note: If you wish to include multiple options in your order, specify the option codes in series (e.g. /KX).

● OUTPUT SECTION

Allowable Output Load	2mA max.	
Zero Adjustment	Approx. ±5% of span. (Adjustable by the front-accessible trimmer.)	
Span Adjustment	Approx. ±5% of span. (Adjustable by the front-accessible trimmer.)	
Ranges Available	Power Supply 100-240V AC 100-240V DC	Power Supply 24V DC
Output Range (DC)	-40 to 40V	-20 to 20V
Output Span (DC)	> 10V* to 80V	> 10V* to 40V
Output Bias	-100 to 100%	-100 to 100%

Note: For any output range including negative output signals, the output spans for 100-240V AC/DC and 24V DC supplies range from any voltage exceeding *20V to 80V and to 40V, respectively.

Output Spec. Ex. 1: For 8 to 40V output, the output span is 32V and the bias +25%.

Output Spec. Ex. 2: For -5 to 20V output, the output span is 25V and the bias -20%.

● PERFORMANCE

Accuracy Rating	Better than ±0.1% of span (at 25°C±5°C).
Temperature Effect	Better than ±0.2% of span per 10°C change in ambient.
Response Time	85ms max. (0 to 90%) with a step input at 100%.
CMRR	100dB min. (500V AC, 50/60Hz)
Isolation	3-way isolation between input, output, and power.
Insulation Resistance	100MΩ min. (@ 500V DC) between input, output, power, and ground.
Dielectric Strength	Input / Output / [Power, Ground]: 2000V AC for 1 minute (Cutoff current: 0.5mA) Power / Ground: 2000V AC for 1 minute (Cutoff current: 5.0mA)
Surge Withstand Capability	Tested as per ANSI/IEEE C37.90.1-1989.
Operating Environment	Ambient temperature: -5 to 55°C Humidity: 5 to 90% RH (non-condensing)
Storage Temperature	-10 to 60°C

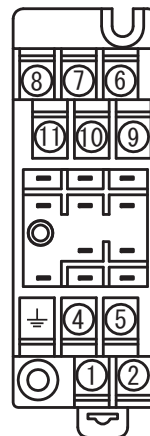
● PHYSICAL

Installation	Wall/DIN rail mounting
Wiring	M3.5 screw terminal connection (with a power terminal block cover & drop-proof screws)
Screwing Torque	0.8 to 1.0 [Nm] * Recommended
External Dimensions	W29 × H86 × D125 mm (including the mounting screw and socket)
Weight	Main unit: 130g max. Socket: 80g max.

● MATERIAL

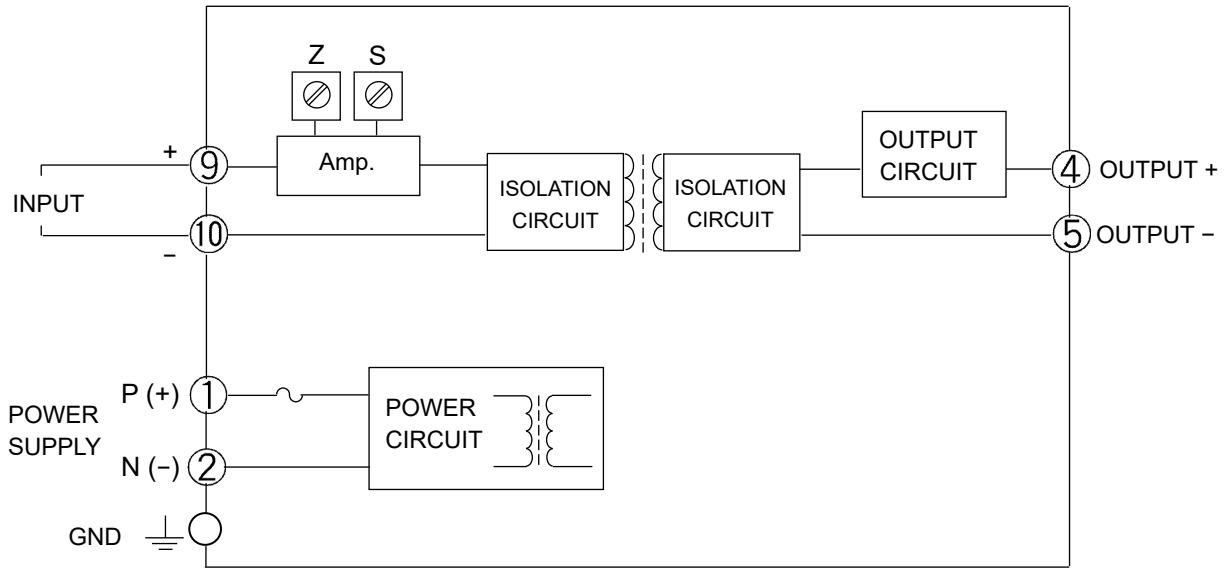
Housing	ABS resin (UL 94V-0)
Terminal Block	PBT resin (UL 94V-0)
Terminal Block Cover	PC resin (UL 94V-2)
DIN Rail Stopper	PP resin (UL 94HB)
Screw Terminal	Nickel-plated steel
Contacts Material and Finish	Brass with 0.2μm gold plating
Printed Circuit Board	Glass fabric, epoxy resin (FR-4: UL 94V-0)

TERMINAL ASSIGNMENTS



①	P (+)	POWER
②	N (-)	
⊥	GND	
④	+ OUTPUT	
⑤	- OUTPUT	
⑥	N.C.	
⑦	N.C.	
⑧	N.C.	
⑨	+ INPUT	
⑩	- INPUT	
⑪	N.C.	

BLOCK DIAGRAM



Note: A short circuit between the output terminals (#4 and #5) must be avoided as it may cause a failure.