

DESCRIPTION

The MS5508 is a plug-in frequency to analog converter that converts pulse train signals from flow sensors and the like into commonly used DC signals and provides an isolated single output.

ORDERING CODE

Model MS5508 - -

Power Supply _____

A: 100 to 240V AC (50 to 60Hz)
D: 24V DC **P:** 100 to 240V DC

Input _____

O: Dry contact or open collector
(Pull-up: Approx. 13V, 3.3kΩ)
A: AC voltage pulse
(Threshold voltage: Approx. 0.06V_{p-p})
D: DC voltage pulse
(Threshold voltage: Approx. 2V)
I: 4 to 20mA DC pulse
(Threshold current: Approx. 8mA)
Y: Other input signals and/or threshold voltages

Output _____

A: 4 to 20mA DC **1:** 0 to 10mV DC
D: 0 to 20mA DC **2:** 0 to 100mV DC
Z: Other DC current signals **3:** 0 to 1V DC
 4: 0 to 10V DC
 5: 0 to 5V DC
 6: 1 to 5V DC
 3W: ±1V DC
 4W: ±10V DC
 5W: ±5V DC
 0: Other DC voltage signals

Options

No code: None

/A: Sensor power supply: 24V DC (±10%), 2-wire type

/B: Sensor power supply: 12V DC (±10%), 2-wire type

/C: Sensor power supply: 24V DC (±10%), 3-wire type

/D: Sensor power supply: 12V DC (±10%), 3-wire type

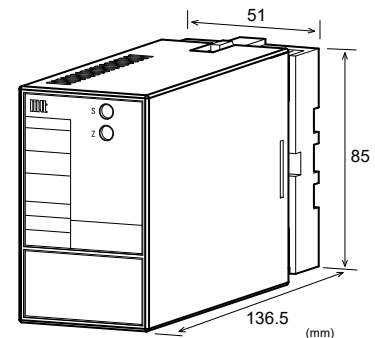
/E: Sensor power supply: 5V DC (±10%), 2-wire type

/F: Sensor power supply: 5V DC (±10%), 3-wire type

/H: Polyurethane conformal coating

/X: Others (Special order)

* For non-standard options, ask MTT for availability.


ORDERING INFORMATION

To place an order, please use the ordering code format as shown on the left. Also specify a measuring frequency range.

(e.g.) MS5508-A-AA (0 to 850Hz)

Other Ordering Examples:

For an input code of "Y": MS5508-A-YA (0 to 500Hz /

Input DC voltage pulse: 0 to 12V / SH = 8.5V, SL = 2.5V)

For an input code of "Y": MS5508-A-YA (0 to 500Hz /

Input AC voltage pulse: 200V_{p-p} / S = 2V_{p-p})

* SH = Threshold level HI, SL = Threshold level LO,

S = Threshold level

Note: For DC current pulse input, the range should be specified between 0-100μA and 0-100mA.

SPECIFICATIONS
POWER SECTION

Power Requirements	100 to 240V AC: 85 to 264V AC (47 to 63Hz)
	24V DC: 24V DC±10%
	100 to 240V DC: 85 to 264V DC

Power Sensitivity	Better than ±0.1% of span for each power supply range.
-------------------	--

Power Line Fuse	160mA fuse
-----------------	------------

Maximum Power Consumption

Power	100-240V AC	24V DC	100-240V DC
	Approx. 8.3VA	Approx. 2.6W	Approx. 8.3W

INPUT SECTION
Input Resistance

Voltage Input Model (DC)	With power:	1MΩ min.
		(Standard, 5V input)
	Without power:	30kΩ min.

Current Input Model (DC)	250Ω (Standard for 4 to 20mA)
--------------------------	-------------------------------

Note: When a 2-wire type sensor power supply is specified, a shunt resistor of 100Ω is used.

Allowable Input Voltage

DC Voltage Input Model	30V DC max., continuous.
DC Current Input Model	40mA DC max., continuous.
AC Voltage Input Model	200V _{p-p} AC max., continuous (up to ±100V with reference to 0V).

Input Pulse Width	20 μ s min.	
Duty Ratio	40 to 60%	
Maximum Sensor Supply Current	30mA	
Ranges Available	AC Voltage Pulse	DC Voltage Pulse
Input Range	-300 to 300V	0 to 300V
Input Voltage Span	0.1 to 600V _{p-p}	1 to 300V
Input Bias	N/A	0 to +300%
Threshold Voltage	50mV _{p-p} min.	Hi-Lo voltage: 0.2V min.
Input Frequency	Within the range between 0-20Hz and 0-20kHz.	

Input Spec. Ex.: For 10 to 15V DC voltage pulse input, the input voltage span is 5V and the bias +200%.

● OUTPUT SECTION

Allowable Output Load		
Voltage Output (DC)	1V span and up	2mA max.
	10mV	10k Ω min.
	100mV	100k Ω min.
Current Output (DC)	4 to 20mA	750 Ω max.
Zero Adjustment	Approx. \pm 5% of span. (Adjustable by the front-accessible trimmer.)	
Span Adjustment	Approx. \pm 5% of span. (Adjustable by the front-accessible trimmer.)	
Ranges Available		
	Current Signal	Voltage Signal
Output Range (DC)	0 to 20mA	-10 to 10V
Output Span (DC)	4 to 20mA	10mV to 20V
Output Bias	0 to 100%	-100 to 100%
* For current output signals, the accuracy of any current output smaller than 0.1mA is not guaranteed.		
Output Spec. Ex. 1: For 4 to 20mA output, the output span is 16mA and the bias +25%.		
Output Spec. Ex. 2: For -1 to 4V output, the output span is 5V and the bias -20%.		

● PERFORMANCE

Accuracy Rating	Better than \pm 0.3% of span. Ripple: 0.2%p-p or less of span (for at least 10% input) (at 25 $^{\circ}$ C \pm 5 $^{\circ}$ C)
Temperature Effect	Better than \pm 0.2% of span per 10 $^{\circ}$ C change in ambient.
Response Time	
Input Frequency	0 to 90% with a step input at 100%
20Hz	8s max.
200Hz	1s max.
2kHz	500ms max.
20kHz	500ms max.
CMRR	100dB min. (500V AC, 50/60Hz)
Isolation	3-way isolation between input, output, and power.
Insulation Resistance	100M Ω min. (@ 500V DC) between input, output, and power.
Dielectric Strength	Input / Output / Power: 2000V AC for 1 minute (Cutoff current: 0.5mA)
Surge Withstand Capability	Tested as per ANSI/IEEE C37.90.1-1989.
Operating Environment	Ambient temperature: -5 to 55 $^{\circ}$ C Humidity: 5 to 90% RH (non-condensing)
Storage Temperature	-10 to 60 $^{\circ}$ C

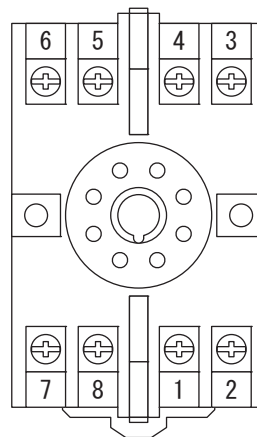
● PHYSICAL

Installation	Wall/DIN rail mounting
Mounting Direction	Vertical
Screwing Torque	0.78 to 1.18 [Nm] * Recommended
Wiring	M3.5 screw terminal connection
External Dimensions	W51 \times H85 \times D136.5 mm (including the socket)
Weight	Main unit: 200g max. Socket: 60g max.

● MATERIAL

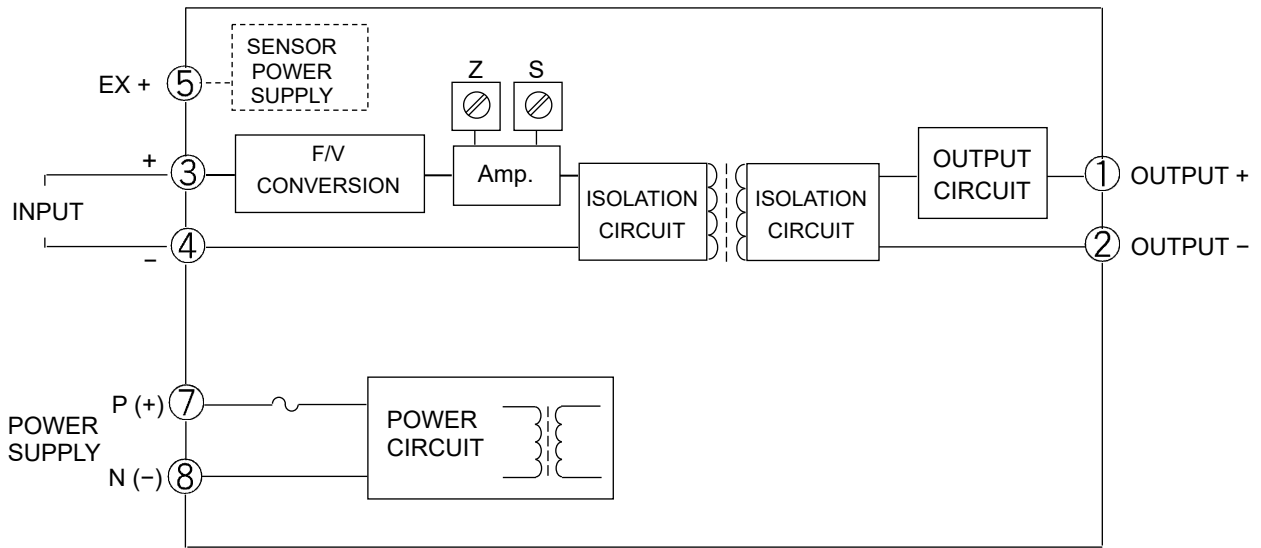
Housing	ABS resin (UL 94V-0)
Socket	ABS resin (UL 94V-0)
Screw Terminal	Galvanized steel with trivalent chromate finish
Printed Circuit Board	Glass fabric, epoxy resin (FR-4: UL 94V-0)

TERMINAL ASSIGNMENTS

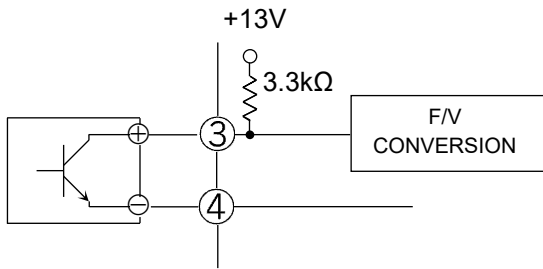


①	+ OUTPUT	
②	- OUTPUT	
③	+ INPUT	
④	- INPUT	
⑤	EX +	
⑥	N.C.	
⑦	P (+)	POWER
⑧	N (-)	

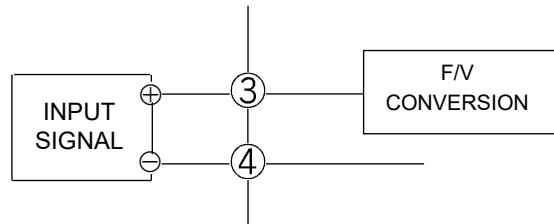
BLOCK DIAGRAM



For dry contact or open collector input:



For voltage pulse input:



When a 2-wire sensor is used:

Note: The connections may vary depending on the type of the sensor used.

